

# INSTALLATION INSTRUCTIONS

Item #N7545-729 (04/20/2022)

READ AND SAVE THESE INSTRUCTIONS

**WARNING! SHUT POWER OFF AT FUSE OR CIRCUIT BREAKER.**  
**AVERTISSEMENT! COUPER LE COURANT AU NIVEAU DES FUSIBLES OU DU DISJONCTEUR.**

## PREPARING THE FIXTURE (Fig.2)

1. Carefully unpack the new fixture and lay out all the parts on a clear area. Take care not to lose any parts necessary for installation.
2. By measuring, determine the desired hanging height and thread rods (C) into the top nipple of the fixture body.
3. Carefully pass the fixture wires through each rod and loop (D) as you assemble. Then thread the loop (D) onto the top of rods.
4. Connect loop (D) to canopy with key link (E).

## MOUNTING THE FIXTURE (Fig.1)

5. Attach mounting plate to outlet box using box screws (Size: #8-32\*1.25L) provided with outlet box. For additional stability on fixtures, install mounting screws into appropriate fasteners.
6. Lace safety cable through the side of the hickey. Tie off the set screw assembly as shown. Run the cable through the top of the outlet box and secure to a structural member.

## CONNECTING THE WIRES (Fig. 3)

7. At this point, connect the electrical wires as shown in Fig. 3, making sure that all wire connectors are secured. If your outlet box has a ground wire (green or bare copper), connect the fixture's ground wire to it. Otherwise, connect the fixture's ground wire directly to the mounting strap using the green screw provided. After the wires are connected, tuck them carefully inside the outlet box.

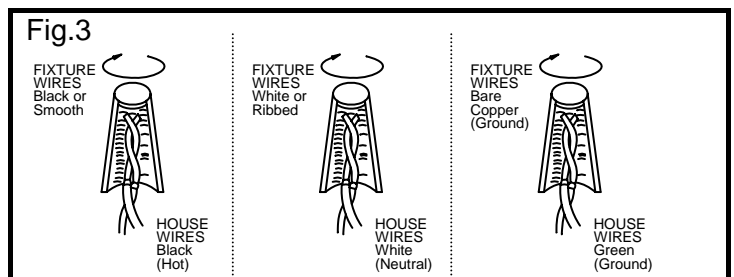
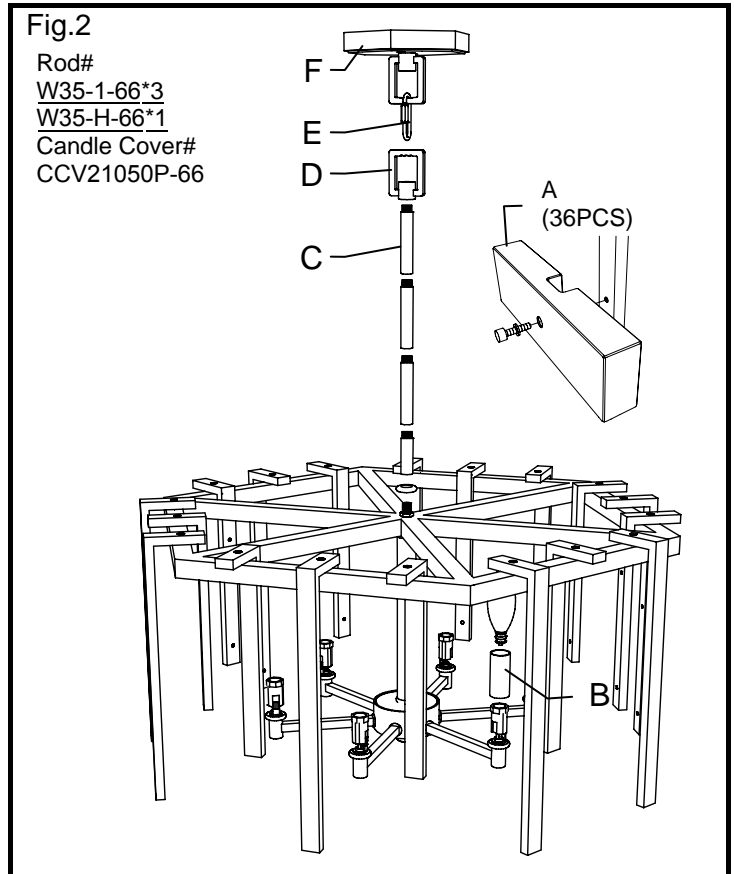
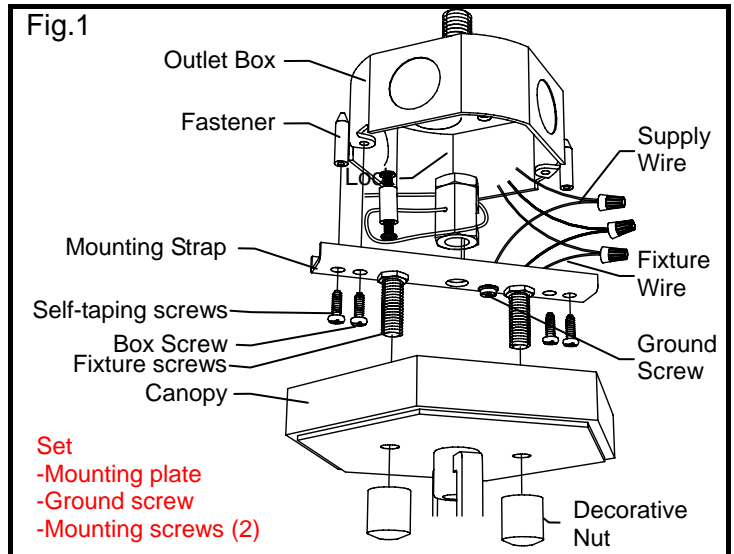
## FINISHING THE INSTALLATION (Fig.1 & 2)

8. Place fixture canopy (F) over two fixture screws (or nipple) and secure with decorative nuts.
9. Install glass (A) to the arm and secure with screws.
10. Place candle cover (B) on the socket.
11. Install (6) six candelabra base bulbs up to 60 watts each or CFL or LED equivalent (not included) in accordance with the fixture specification—**DO NOT EXCEED THE MAXIMUM WATTAGE RATING! (NE PAS DEPASSER LA PUISSANCE NOMINALE MAXIMALE!)**.

Your installation is now complete. Return power to the outlet box and test the fixture.

**IMPORTANT: For a safe and secure installation, these fixtures must be installed by means of supports that are independent of the outlet box.**

**Note: Illustration on this manual is for installation purposes only. It may or may not be identical to the fixture purchased. Do not clean your light fixture or parts with water or cleanser.**



american  
lighting  
association